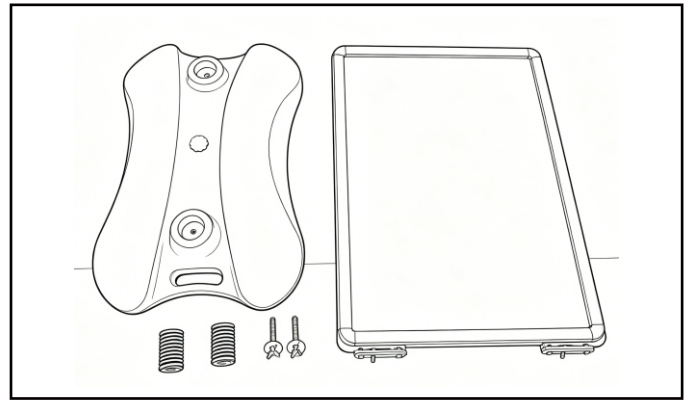
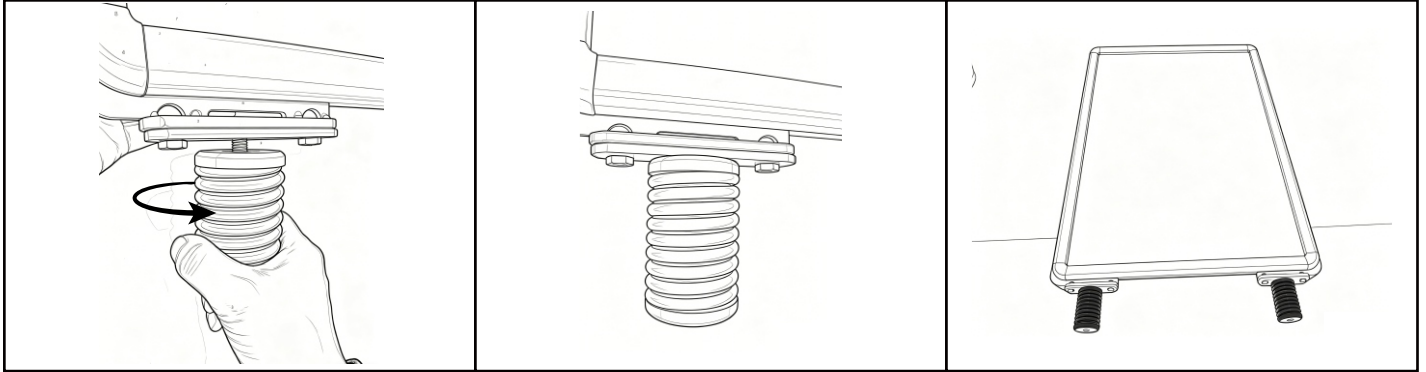


# Installation manual



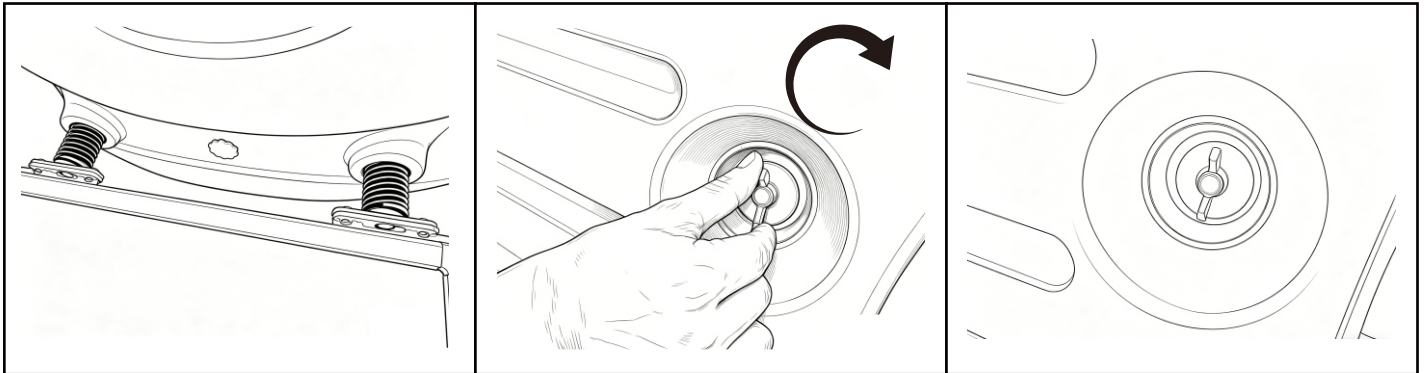
## STEP 1:

Align with the screw holes, rotate clockwise to tighten the springs at both ends.



## STEP 2:

Insert the spring into the base hole, put in the screw, then turn it clockwise to tighten the screw.



## STEP 3:

Installation completed.

